

ENGINE

| | |
|---|---|
| Model | Case F5C, Tier 4 Interim Emissions Certified |
| Type | Diesel 4-stroke, turbocharged |
| Cylinders | 4 |
| Bore/Stroke | 3.90 x 4.33 in (99 x 110 mm) |
| Displacement | 207 in ³ (3.4 L) |
| Fuel injection | Direct, high pressure common rail – HPCR |
| Fuel | Diesel |
| Fuel filter | w/ water trap |
| Air intake | Cross-flow |
| Cooling | Liquid |
| Engine speeds* | RPM |
| Rated speed – full load | 2200 |
| Low idle | 875 – 1025 |
| High idle – no load | 2300 – 2450 |
| Horsepower @ 2200 RPM: | |
| Gross | 85 hp (63 kW) |
| Net w/ viscous fan** | 83 hp (62 kW) |
| Net | 78 hp (59 kW) |
| Maximum torque @ 1400 RPM: | |
| Gross | 276 lb-ft (374 N-m) |
| Net w/ viscous fan | 274 lb-ft (372 N-m) |
| Net | 268 lb-ft (364 N-m) |
| Torque rise at rated speed | 36% |
| Radiator: | |
| Core type | Square wave |
| Core size area | 486 in ² (3145 cm ²) |
| Rows of tubes | 4 |
| 39 degree fan: | |
| Style | 7 blade suction |
| Diameter | 19.65 in (499 mm) |
| Ratio | 1.1:1 |
| Water pump style | Integral |
| Engine oil pump: | |
| Deep sump plate cooler w/ pressurized under-piston nozzles | |
| Pump operating angle ratings: | |
| Side to side | Rated 35° |
| Fore and aft | Rated 35° |
| Oil filtration | Replaceable, full flow spin on |

NOTE: *Meets federal emission regulations.

**Viscous fan included w/ Cab
Convenience package.

POWERTRAIN

| | | |
|--|---|--------------|
| Transmission – standard: | | |
| 4F-4R Power Shuttle Synchronesh | | |
| Transmission manual gear shift, fully synchronized | | |
| Transmission – optional: | | |
| Powershift S-Type, 4F-3R fully synchronized | | |
| Specifications below apply to both Power Shuttle and Powershift S-Type transmission unless otherwise indicated. | | |
| Gear ratios | Forward/Reverse | |
| 1st | 5.603/4.643 | |
| 2nd | 3.481/2.884 | |
| 3rd | 1.584/1.313 | |
| 4th | 0.793/0.657* | |
| Travel speeds | Forward | Reverse |
| | mph (kph) | mph (kph) |
| 1st | 3.8 (6.1) | 4.5 (7.3) |
| 2nd | 6.1 (9.8) | 7.3 (11.7) |
| 3rd | 12.9 (20.8) | 15.5 (24.9) |
| 4th | 24.3 (39.1) | 29.1 (46.9)* |
| NOTE: Travel speeds at 2293 engine RPM w/ 19.5 L x 24.0 tires. Speeds decrease w/ 17.5 L x 24.0 rear tires. *4R not available on Powershift S-Type. | | |
| Torque converter ratio | 3.2 | |
| Differential lock | On-the-go push-button activation | |
| Front 4WD/Rear axle: | | |
| Differential ratio | 2.0/2.5 | |
| Planetary hub ratio | 6.0/6.4 | |
| Total reduction ratio | 12.0/16.0 | |
| Service brakes: | | |
| Individually applied, power assisted, hydraulically actuated, maintenance-free, self-adjusting, outboard mounted, wet disc, 2 per side. | | |
| Disc area | 384 in ² (0.25 m ²) | |
| Parking brakes | Trans Mounted spring-applied hydraulic release – SAHR | |

ELECTRICAL

| | |
|--------------------|---------------------------|
| Voltage | 12 Volts, negative ground |
| Alternator | 120 amp |
| Battery | 850 cold-cranking amps |
| Opt. batteries (2) | 850 cold-cranking amps |
| Power plugs (2) | 30 amps total |

OPERATOR ENVIRONMENT

| | |
|---|--|
| ROPS/FOPS certified protective canopy; Anti-vandalism cover for dash – w/ canopy only; Rear fenders extensions; Coat hook w/ garment strap; Interior rearview mirror, convex 3.54 in (90 mm) wide x 10.83 in (275 mm) high; Non-suspension seat – 180° swivel – Vinyl; 2 in (50 mm) retractable seat belt; Cup holder/ storage tray mounted on left-hand fender; Right-hand storage compartment w/ lid. | |
| Gauges: | Engine water temperature; Converter oil temperature; Fuel level; Tachometer/ hourmeter; Voltmeter. |
| Warning lights: | Air cleaner restriction; Alternator; A/C high pressure; Cold start; Engine oil pressure low; Hydraulic oil filter bypass; Parking brake engagement; Low fuel. |
| Audible alarms: | Coolant temperature; Engine oil pressure; Parking brake engagement; Shuttle engagement/seat position; Backup. |
| Horn | dual switched front and rear |

OPERATING WEIGHT

Configuration 1 – SAE Transport:

| | |
|--|---------------------|
| 82 in (2.08 m) LL bucket, 2WD, 17.5 L x 24.0 rear tires, standard dipper, 24 in (610 mm) Trenching bucket, standard cast stabilizer pads, ROPS canopy, vinyl-suspension seat, dual battery, no operator, fully fueled: | 14,564 lb (6607 kg) |
|--|---------------------|

Configuration 2 – SAE Transport:

| | |
|---|---------------------|
| 82 in (2.08 m) bucket, 4WD, 19.5 L x 24.0 rear tires, Extendahoe®, 24 in (0.61 m) HD bucket, flip stabilizer pads, 1,100 lb (500 kg) counterweight, ROPS cab, cloth, air-suspension seat, dual battery, no operator, mechanical backhoe quick coupler and 40 gal (151 L) plastic fuel tank: | 17,454 lb (7917 kg) |
|---|---------------------|

Add-on weights:

| | |
|--------------------------------------|---------------------|
| Cab – over canopy | 0 lb (0 kg) |
| Fabricated stabilizer pads | 141 lb (64 kg) |
| Counterweights | 700 lb (318 kg) |
| Extendahoe® | 285 lb (129 kg) |
| 4WD w/ driveshaft guard | 283 lb (128 kg) |
| Buckets: | |
| 82 in (2.08 m) 4 IN 1® | 1,451 lb (658.0 kg) |
| 82 in (2.08 m) Long Lip | 683 lb (310.0 kg) |
| 93 in (2.36 m) Long Lip | 1,188 lb (539.0 kg) |
| 24 in (0.61 m) Heavy-Duty Universal: | 427 lb (193.5 kg) |

HYDRAULICS

| | |
|--|---|
| Pump: | Parker P330 Single Section Gear Pump |
| Standard main relief pressure: | 3,350 +/- 50 psi @ 28.5 gpm (231 +/- 3.5 bar @ 108 L/min) |
| Filtration: | 7 micron, return line, full flow, spin on element, condition indicator light for filter. |
| Oil cooler | Heavy-duty |
| Loader flow @ rated engine RPM: | 28.5 gpm @ 3,000 psi (108 L/min @ 207 bar) |
| Loader control valve: | Two- or three-spool open center monoblock valve. Two- and three-spool valves have a single lever manual control for lift and tilt functions. Three-spool valve uses a proportional Electro-Hydraulic control for the auxiliary function. The lift lever has a positive hold "Float" position and a "return-to-dig" feature. System Main Relief valve is single stage w/ Manual Backhoe Controls, dual stage relief valve w/ Pilot Backhoe Controls. |
| Loader auxiliary hydraulics proportional thumb switch w/ detent on loader control handle. | |
| Loader auxiliary hydraulics w/ full available flow: | 0 – 28.5 gpm (0 – 108 L/min) |
| Backhoe flow @ rated engine RPM: | 28.5 gpm @ 3,000 psi (108 L/min @ 207 bar) |
| Manual backhoe control valve: | Six- or seven-spool monoblock open center control valve. Features "Pro-Control" which includes custom designed spools for each individual function along w/ "swing cushioning" valve for zero-wag swing control. Basic control valve has an open center parallel circuit for all functions. |
| Pilot backhoe control valve: | Six-, seven- or eight-spool sectional closed center control valve. Features "Pro-Control" which includes custom designed spools for each individual function along w/ "swing cushioning" valve for zero-wag swing control. Basic control valve is closed center, w/ circuits in parallel w/ a post-compensated, flow sharing feature for simultaneous operation of all circuits. |
| Unidirectional Auxiliary Hydraulics: | |
| Unidirectional hydraulic valve is equipped w/ an adjustable LS relief valve to control attachment pressure and a 6 position flow control selector for 6 detented, distinct flow settings. | |
| Actuation: | Manual backhoe controls – cab floor pedal Pilot controls – left-hand joystick |

SERVICE CAPACITY

| | |
|-------------------------------------|------------------|
| Fuel tank | 42.0 gal (159 L) |
| Hydraulic system: | |
| Total | 112 qt (106.0 L) |
| w/ Extendahoe® | 118 qt (111.7 L) |
| Reservoir w/ filter | 58 qt (55.0 L) |
| Reservoir w/o filter | 56 qt (53.0 L) |
| Transmission – total system: | |
| 2WD Standard | 18 qt (17.0 L) |
| 2WD Powershift | 23 qt (21.7 L) |
| 4WD Standard | 21 qt (19.4 L) |
| 4WD Powershift | 22 qt (20.7 L) |
| 4WD Front axle: | |
| Differential | 8.1 qt (7.7 L) |
| Planetarys – each | 0.5 qt (0.5 L) |
| Rear axle: | |
| Differential and planetarys | 14.4 qt (13.6 L) |
| Engine oil w/ filter | 14.4 qt (13.6 L) |
| Cooling system: | |
| w/ heater | 17.8 qt (16.8 L) |
| w/o heater | 17.0 qt (16.1 L) |
| Window washer reservoir | 3.0 qt (2.8 L) |

OTHER SPECIFICATIONS

| | |
|--|------------------------------|
| Front tires: | |
| 2WD | 11.0 L x 16.0, 10-ply rating |
| 4WD | 12.0 L x 16.5, 8-ply rating |
| Rear tires: | |
| 2/4WD | 19.5 L x 24.0, 10-ply rating |
| 2/4WD | 17.5 L x 24.0, 10-ply rating |
| 2/4WD | 16.9 L x 28.0, 10-ply rating |
| Loader: | |
| Bucket position indicator; Lifting lugs on standard bucket; Single lever control w/ self-leveling and return-to-dig; Hand operated clutch disconnects on loader and shift levers, single lever 4-function loader control: lift, dump, clutch cut-out, differential lock. | |

Loader bucket sizes:

| Width | Weight | Struck | Heaped |
|---|-----------------------|--|--|
| Long Lip Bucket w/o bolt-on edge | | | |
| 82 in (2.08 m) | 683 lb (310 kg) | 0.87 yd ³ (0.67 m ³) | 1.03 yd ³ (0.79 m ³) |
| 93 in (2.36 m) | 1,188 lb* (539 kg) | 1.07 yd ³ (0.82 m ³) | 1.25 yd ³ (0.96 m ³) |
| 4 IN 1® Bucket w/ bolt-on edge | | | |
| 82 in (2.08 m) | 1,451 lb* (658 kg) | 0.85 yd ³ (0.65 m ³) | 1.04 yd ³ (0.80 m ³) |

NOTE: *Weight of 4 IN 1® bucket includes edges, cylinders and tube lines.

OTHER SPECIFICATIONS (cont.)

Turning diameter*:

| | |
|--------------------------|----------------------|
| 2WD: | |
| Brakes on | 10 ft 8 in (3.24 m) |
| Brakes off | 12 ft 4 in (3.79 m) |
| 4WD – engaged: | |
| Brakes on | 11 ft 4 in (3.45 m) |
| Brakes off | 13 ft 10 in (4.21 m) |
| 4WD – disengaged: | |
| Brakes on | 11 ft 0 in (3.36 m) |
| Brakes off | 12 ft 3 in (3.72 m) |

Backhoe:

Over center design, fabricated "S" boom; Open-center hydraulics – pro control system; 15,700 lb-ft (21 297 N-m) swing torque; 198° bucket rotation; Foot-swing w/ 3-lever control; Wing stabilizers w/ cleated dirt pad.

Backhoe bucket sizes:

| Width | Weight | Heaped |
|--|------------------------|--|
| General Purpose Trenching Buckets | | |
| 18 in (457 mm) | 231.5 lb (105.0 kg) | 4.70 ft ³ (0.13 m ³) |
| 24 in (610 mm) | 272.0 lb (123.4 kg) | 6.26 ft ³ (0.18 m ³) |

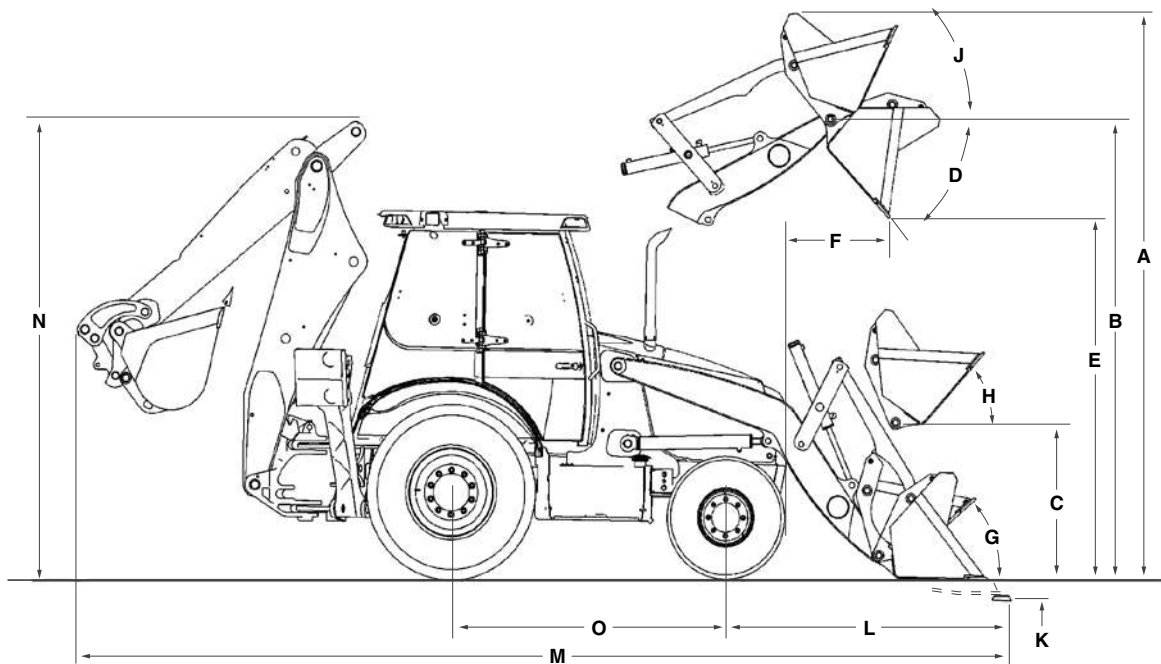
Universal Buckets

| | | |
|-------------------|------------------------|---|
| 12 in (305 mm) | 294.5 lb (133.6 kg) | 3.40 ft ³ (0.10 m ³) |
| 18 in (457 mm) | 356.3 lb (161.6 kg) | 5.30 ft ³ (0.15 m ³) |
| 24 in (610 mm) | 426.6 lb (193.5 kg) | 7.70 ft ³ (0.22 m ³) |
| 30 in (762 mm) | 489.4 lb (222.0 kg) | 10.20 ft ³ (0.29 m ³) |
| 36 in (914 mm) | 552.3 lb (250.5 kg) | 12.70 ft ³ (0.36 m ³) |

High Capacity Buckets

| | | |
|-------------------|------------------------|--|
| 24 in (610 mm) | 446.7 lb (202.6 kg) | 8.50 ft ³ (0.24 m ³) |
|-------------------|------------------------|--|

NOTE: *Turning diameter dimensions curb to curb w/ 17.5 L x 24.0 rear tires and 4 IN 1® bucket.



Line drawings are for illustrative purpose only and may not be exact representation of unit.

LOADER DIMENSIONS*

| | Long Lip Bucket | 4 IN 1® Bucket |
|---|----------------------|----------------------|
| A. Overall operating height – fully raised | 13 ft 9 in (4.18 m) | 13 ft 8 in (4.16 m) |
| Height to: | | |
| B. Bucket hinge pin fully raised | 11 ft 3 in (3.42 m) | 11 ft 3 in (3.42 m) |
| C. Bucket hinge pin at SAE carry | 13.6 in (345 mm) | 13.6 in (345 mm) |
| D. Dump angle at full height | 47° | 47° |
| E. Dump clearance at full height, 45° dump: | | |
| Bucket | 8 ft 10 in (2.69 m) | 8 ft 11 in (2.71 m) |
| Clam open | — | 9 ft 8 in (2.96 m) |
| F. Dump reach at full height, 45° dump: | | |
| Bucket | 31.5 in (801 mm) | 29.1 in (738 mm) |
| Clam open | — | 15.3 in (388 mm) |
| Bucket rollback: | | |
| G. @ Groundline | 42° | 42° |
| H. @ SAE carry | 42° | 42° |
| J. @ Full height | Adjustable | Adjustable |
| K. Digging depth below grade: | | |
| Bucket flat | 6.1 in (155 mm) | 4.8 in (122 mm) |
| Clam open – dozing | — | 4.1 in (103 mm) |
| L. Reach from front axle centerline – bucket on ground | 6 ft 1 in (2.08 m) | 6 ft 1 in (2.03 m) |
| Lift capacity to full height | 6,803 lb (3086 kg) | 6,454 lb (2930 kg) |
| Breakout force: | | |
| Lift cylinders | 9,506 lb (4228 daN) | 9,276 lb (4126 daN) |
| Dump cylinders | 10,622 lb (4724 daN) | 11,312 lb (5032 daN) |
| Bucket cutting edge width | 82.5 in (2.09 m) | 82.0 in (2.08 m) |
| Maximum grading angle | 114° | 114° |
| Maximum clam opening | — | 38.3 in (972 mm) |
| Moldboard height | — | 36.8 in (934 mm) |
| Raising time to full height | 4.6 sec | 4.6 sec |
| Bucket dumping time | 1.1 sec | 1.1 sec |
| Lowering time: | | |
| Power down | 2.6 sec | 2.6 sec |
| Return-to-dig | 3.6 sec | 3.6 sec |
| Clam: | | |
| Open time | — | 1.0 sec |
| Close time | — | 1.0 sec |

NOTE: *Loader dimensions taken with 4WD, 19.5 L x 24.0 rear tires.

DIMENSIONS

| | 2WD with 19.5 L x 24.0 tires | 4WD with 19.5 L x 24.0 tires |
|--------------------------------------|------------------------------|------------------------------|
| M. Overall transport length: | | |
| Long Lip bucket with Quick Coupler | 23 ft 5 in (7.14 m) | 23 ft 4 in (7.10 m) |
| 4 IN 1° bucket with Quick Coupler | 23 ft 3 in (7.07 m) | 23 ft 1 in (7.04 m) |
| Long Lip bucket with Straight Links | 23 ft 6 in (7.15 m) | 23 ft 4 in (7.12 m) |
| 4 IN 1° bucket with Straight Links | 23 ft 3 in (7.09 m) | 23 ft 2 in (7.06 m) |
| Overall transport width – rear tires | 6 ft 10 in (2.07 m) | 6 ft 10 in (2.07 m) |
| Height: | | |
| To top of canopy | 8 ft 9 in (2.66 m) | 8 ft 9 in (2.66 m) |
| To top of cab | 8 ft 11 in (2.72 m) | 8 ft 11 in (2.72 m) |
| To top of exhaust stack | 8 ft 7 in (2.62 m) | 8 ft 7 in (2.61 m) |
| N. Transport | | |
| Ground clearance at backhoe frame | 15.0 in (380 mm) | 15.0 in (380 mm) |
| Angle of departure | 15.3° | 19.0° |
| Front wheel tread: | | |
| 11.0 L x 16.0 | 67.5 in (1.71 m) | 67.5 in (1.71 m) |
| 12.0 L x 16.5 | 67.7 in (1.72 m) | 67.7 in (1.72 m) |
| Rear wheel tread: | | |
| 17.5 L x 24.0 | 63.1 in (1.60 m) | 63.1 in (1.60 m) |
| 19.5 L x 24.0 | 61.2 in (1.55 m) | 61.2 in (1.55 m) |
| Width over tires: | | |
| 11.0 L x 16.0 | 79.3 in (2.01 m) | 79.3 in (2.01 m) |
| 12.0 L x 16.5 | 81.1 in (2.06 m) | 81.1 in (2.06 m) |
| 17.5 L x 24.0 | 81.7 in (2.07 m) | 81.7 in (2.07 m) |
| 19.5 L x 24.0 | 81.4 in (2.07 m) | 81.4 in (2.07 m) |
| O. Wheelbase | | |
| | 84.0 in (2.13 m) | 84.5 in (2.15 m) |

CYLINDERS

| | Bore Diameter | Rod Diameter | Stroke | Closed Length |
|------------------|--------------------|-------------------|----------------------|----------------------|
| Loader: | | | | |
| Lift (2) | 3.25 in (82.6 mm) | 1.75 in (44.5 mm) | 28.86 in (733.0 mm) | 41.81 in (1062.0 mm) |
| Dump (2) | 3.00 in (76.2 mm) | 1.50 in (38.1 mm) | 20.33 in (516.5 mm) | 30.31 in (769.9 mm) |
| 4 IN 1° clam (2) | 3.00 in (76.2 mm) | 1.75 in (44.5 mm) | 9.08 in (230.6 mm) | 19.62 in (498.3 mm) |
| Backhoe: | | | | |
| Boom | 4.50 in (114.3 mm) | 2.25 in (57.2 mm) | 38.22 in (971.5 mm) | 52.82 in (1341.6 mm) |
| Dipperstick | 4.25 in (108.0 mm) | 2.25 in (57.2 mm) | 25.14 in (628.5 mm) | 39.65 in (1007.0 mm) |
| Bucket | 3.25 in (82.6 mm) | 2.25 in (57.2 mm) | 35.35 in (897.9 mm) | 48.17 in (1223.6 mm) |
| Extendahoe® | 3.00 in (76.2 mm) | 1.75 in (44.5 mm) | 42.05 in (1068.0 mm) | 56.22 in (1428.0 mm) |
| Swing (2) | 3.75 in (95.3 mm) | 2.00 in (50.8 mm) | 11.50 in (292.0 mm) | 24.44 in (620.8 mm) |
| Stabilizer (2) | 4.25 in (108.0 mm) | 2.25 in (57.2 mm) | 21.37 in (542.9 mm) | 33.87 in (860.2 mm) |

AXLE RATINGS

| | Front – 2WD | Rear | Front – 4WD |
|--------------------------|------------------------------|-----------------------|------------------------------|
| Maximum static | 70,821 lb (32 124 kg) | 90,145 lb (40 889 kg) | 64,613 lb (29 308 kg) |
| Dynamic operating | 44,261 lb (20 076 kg) | 56,200 lb (25 492 kg) | 39,328 lb (17 839 kg) |
| Static operating | 17,704 lb (8030 kg) | 22,480 lb (10 197 kg) | 15,732 lb (7136 kg) |
| Oscillation – front axle | 22° total – 11% side to side | – | 22° total – 11% side to side |

BACKHOE LIFT CAPACITIES

| | Standard Backhoe | Extendahoe® | |
|---------------------|--------------------------|--------------------------|--------------------------|
| | | Retracted | Extended |
| Boom Lift | Lift Capacity lb (kg) | Lift Capacity lb (kg) | Lift Capacity lb (kg) |
| +16 ft (4.87 m) | — | — | 1,693 (768) |
| +14 ft (4.27 m) | 2,472 (1121) | 2,271 (1030) | 1,979 (897) |
| +12 ft (3.66 m) | 2,857 (1296) | 2,644 (1199) | 2,124 (964) |
| +10 ft (3.05 m) | 2,966 (1345) | 2,748 (1246) | 2,172 (985) |
| +8 ft (2.44 m) | 2,983 (1353) | 2,761 (1252) | 2,169 (984) |
| +6 ft (1.83 m) | 2,963 (1344) | 2,739 (1242) | 2,173 (985) |
| +4 ft (1.22 m) | 2,929 (1329) | 2,701 (1225) | 2,165 (982) |
| +2 ft (0.61 m) | 2,892 (1312) | 2,662 (1207) | 2,153 (977) |
| Ground Level | 2,858 (1297) | 2,625 (1191) | 2,153 (977) |
| -2 ft (0.61 m) | 2,834 (1285) | 2,598 (1178) | 2,145 (973) |
| -4 ft (1.22 m) | 2,827 (1282) | 2,588 (1174) | 2,143 (972) |
| -6 ft (1.83 m) | 2,853 (1294) | 2,609 (1183) | 2,154 (977) |
| -8 ft (2.44 m) | 2,949 (1338) | 2,698 (1224) | 2,189 (993) |
| -10 ft (3.05 m) | 3,319 (1506) | 3,053 (1385) | 2,270 (1030) |
| -12 ft (3.66 m) | — | — | 2,429 (1102) |
| -14 ft (4.27 m) | — | — | 3,115 (1413) |
| Dipper Lift: | | | |
| +14 ft (4.27 m) | — | — | 3,154 (1431) |
| +12 ft (3.66 m) | 4,343 (1970) | 4,139 (1877) | 2,981 (1352) |
| +10 ft (3.05 m) | 4,027 (1827) | 3,826 (1735) | 2,823 (1281) |
| +8 ft (2.44 m) | 4,112 (1865) | 3,910 (1774) | 2,855 (1295) |
| +6 ft (1.83 m) | 4,563 (2070) | 4,357 (1976) | 3,010 (1365) |
| +4 ft (1.22 m) | 5,398 (2449) | 5,177 (2348) | 2,948 (1337) |
| +2 ft (0.61 m) | — | — | 3,486 (1581) |

BACKHOE OPERATIONAL DATA

| | Standard Backhoe | Extendahoe® | |
|---|----------------------|----------------------|----------------------|
| | | Retracted | Extended |
| Digging depth: | | | |
| Maximum | 14 ft 10 in (4.50 m) | 14 ft 9 in (4.50 m) | 18 ft 3 in (5.55 m) |
| 2 ft (610 mm) flat bottom | 14 ft 8 in (4.46 m) | 14 ft 8 in (4.46 m) | 18 ft 1 in (5.52 m) |
| 8 ft (2.44 m) flat bottom | 13 ft 8 in (4.16 m) | 13 ft 8 in (4.16 m) | 17 ft 4 in (5.29 m) |
| Overall reach from: | | | |
| Rear axle centerline | 21 ft 11 in (6.68 m) | 21 ft 11 in (6.68 m) | 25 ft 4 in (7.72 m) |
| Swing pivot | 18 ft 4 in (5.57 m) | 18 ft 4 in (5.57 m) | 21 ft 8 in (6.60 m) |
| Loading height | 11 ft 9 in (3.59 m) | 11 ft 9 in (3.59 m) | 14 ft 1 in (4.30 m) |
| Loading reach – dipper retracted | 6 ft 9 in (2.04 m) | 6 ft 9 in (2.04 m) | 9 ft 4 in (2.84 m) |
| Swing arc | 180° | 180° | 180° |
| Bucket rotation: | | | |
| Straight links | 175.6° | 175.6° | 175.6° |
| Mechanical coupler | 198.0° | 198.0° | 198.0° |
| Stabilizer spread – centers | | | |
| Flip pad | 9 ft 5 in (2.87 m) | 9 ft 5 in (2.87 m) | 9 ft 5 in (2.87 m) |
| Cast Pad | 9 ft 9 in (2.97 m) | 9 ft 9 in (2.97 m) | 9 ft 9 in (2.97 m) |
| Digging force: | | | |
| Bucket cylinder | 11,334 lb (50 414 N) | 11,334 lb (50 414 N) | 11,334 lb (50 414 N) |
| Dipper cylinder | 6,710 lb (29 484 N) | 6,710 lb (29 484 N) | 4,887 lb (21 738 N) |
| Leveling angle: | | | |
| Flip pad | 12.8° | 12.8° | 12.8° |
| Cast pad | 13.8° | 13.8° | 13.8° |

STANDARD EQUIPMENT

OPERATOR ENVIRONMENT

See page 1

ENGINE

Case F5C diesel
Cooled EGR
Diesel Particulate Filter
Full flow engine oil filter
Air cleaner – replaceable dry type with radial seal
Aspirated air cleaner
Muffler, non spark arresting
Radiator with de-aeration bottle
Antifreeze to -34° F (-37° C)
Throttles, both hand and foot
Self adjusting belt tensioner
Glow plugs cold start
In line fuel strainer

POWERTRAIN

Front axle, as selected:
2WD heavy-duty front axle with 11.0 L x 16.0 tires
4WD heavy-duty mechanically driven front axle with 12.0 L x 16.5 tires and drive shaft guard
Rear axle:
2/4WD heavy-duty outboard planetary drive with 17.5 L x 24.0 tires
4F-4R Power Shuttle Synchromesh transmission
Torque converter – 11.8 in (300 mm)
On-the-go electric 4WD control
Electric F/R shuttle control
Electric differential lock control, push-button activation on the loader control lever
Park brake, spring-applied, hydraulic release – SAHR

HYDRAULICS

Pump 28.5 gal/min @ 3,000 lb/in² (107.9 L/min @ 207 bar)
Heavy-duty hydraulic oil cooler
7 micron, spin on oil filter

LOADER

See page 2

BACKHOE

See page 2

OTHER

Forward tilt engine hood
Replaceable, molded front bumpers
Front/Rear tie downs
Reflective logos
Lights – cab and canopy:
2 rear tail/stop
2 front flashers/turn
2 rear flashers/turn
Lights – cab only:
2 front driving lights – 55 W
Adjustable halogen work lights – 55 W:
2 front
2 side – left and right
4 rear
Lights – canopy only:
2 front driving lights – 55 W
Adjustable halogen work lights – 55 W:
2 side – left and right
2 rear

OPTIONAL EQUIPMENT

OPERATOR ENVIRONMENT

Auto Ride Control – 4WD models
Standard Ride Control – 2WD models
Comfort Steer with momentary latching switch, two-speed steering pump and 3rd/4th gear cutout
ROPS/FOPS certified protective cab with rear wipers and floor mat
Cab Convenience Package containing pull-down sun visor, window washer – front and rear, left-hand storage tray, deluxe interior package, tilt steering column, Sound Reduction Package for cab models – levels reduced to 72 dB (A), right-hand threshold storage box, viscous fan
Air-conditioning for cab models
Mechanical suspension seat with flip-up armrests, 180° swivel, cloth or vinyl, adjustable seat and weight, backrest angle, lumbar and cushion angle
Air Ride suspension seat with flip-up armrests, 180° swivel
Electric height adjustment, adjustable backrest and lumbar support – cab units cloth, canopy units vinyl
Pull-down sun visor for canopy models
Radio, AM/FM Stereo/WB, MP3 auxiliary input – cab models
3 in (75 mm) seat belt for mechanical and air-suspension seat

ENGINE

Cold Weather Starting Aid with dual 12 Volt batteries
Block heater

POWERTRAIN

Powershift S-Type transmission, 4F-3R fully synchronized, electronic transmission controller and kick down in loader control lever – 2WD or 4WD
Heavy-duty outboard planetary drive without 19.5 L x 24.0 tires

HYDRAULICS

Auxiliary backhoe unidirectional hydraulics
Auxiliary backhoe bidirectional hydraulics:
Hand lever operated for manual controls
Button operated for pilot controls

LOADER

Auxiliary hydraulics for loader-mounted equipment with thumb-operated proportional control
Hydraulic front quick coupler
Bolt-on cutting edges
Loader linkage without loader bucket
Tool portfolio of additional attachments
Buckets – see page 2

BACKHOE

Auxiliary hydraulics with flow from 0 to 36 gal/min (0 to 136 L/min)
Extendahoe®
Two-lever controls – backhoe or Extendahoe®
Pilot operated control system
Fingertip proportional Electro-Hydraulic stabilizer controls
Thumb-operated proportional Electro-Hydraulic Extendahoe® control
Thumb-operated horn button
Thumb-operated auxiliary hydraulic control
Infinitely adjustable towers
In-cab switchable “excavator to backhoe” control pattern change
Flip over stabilizer pads
Cemetery/Street pads
Case mechanical quick coupler
Bucket retrofit kits
Buckets – see page 2
OTHER
11.0 L x 16.0 10-ply, 12.0 L x 16.5 8-ply or 17.5 L x 24.0 10-ply front tires
19.5 L x 24.0 10-ply rear tires
Rotating beacon
Special paint
Canopy lights – Additional 2 front and 2 rear halogen lights (55 W)
Tool box – bolt-on, step-mounted
Lift hooks – export
Front counterweights:
700 lb and 1,100 lb (318 kg and 500 kg)
Master disconnect switch and remote jump start terminals



NOTE: All specifications are stated in accordance with SAE Standards or Recommended Practices, where applicable.

NOTE: All engines meet current EPA emissions requirements.

IMPORTANT: Case Construction Equipment Inc. reserves the right to change these specifications without notice and without incurring any obligation relating to such change. Case Construction Equipment Inc. does not warrant the safety or reliability of attachments from other manufacturers.

Case is a registered trademark of CNH America LLC. Any trademarks referred to herein, in association with goods and/or services of companies other than CNH America LLC, are the property of those respective companies.

Form No. CCE201305580N
Replaces form no. CCE201207580N

Printed in U.S.A.
580N • Page 7 of 7



www.casece.com

© 2013 CNH America LLC
All Rights Reserved



All Case construction equipment is biodiesel ready.